

Installation instructions for PZ4AL-01696-00  
Under Run Protective Shield Transmission Case

## LEXUS GX



## TOYOTA LC



Model Year: GX 460 - 2009 - 2013 -

LC 150 Diesel -  
2009 - 2013 - 2015 -

LC 150 Petrol - 2009 - 2013 -

Vehicle Code URJ150L-GKTZKW

KDJ150L-GKAEYW

GRJ150L-GKAEKW

Part Number

PZ4AL-01696-00



Weight

7,43 kg



Installation Time

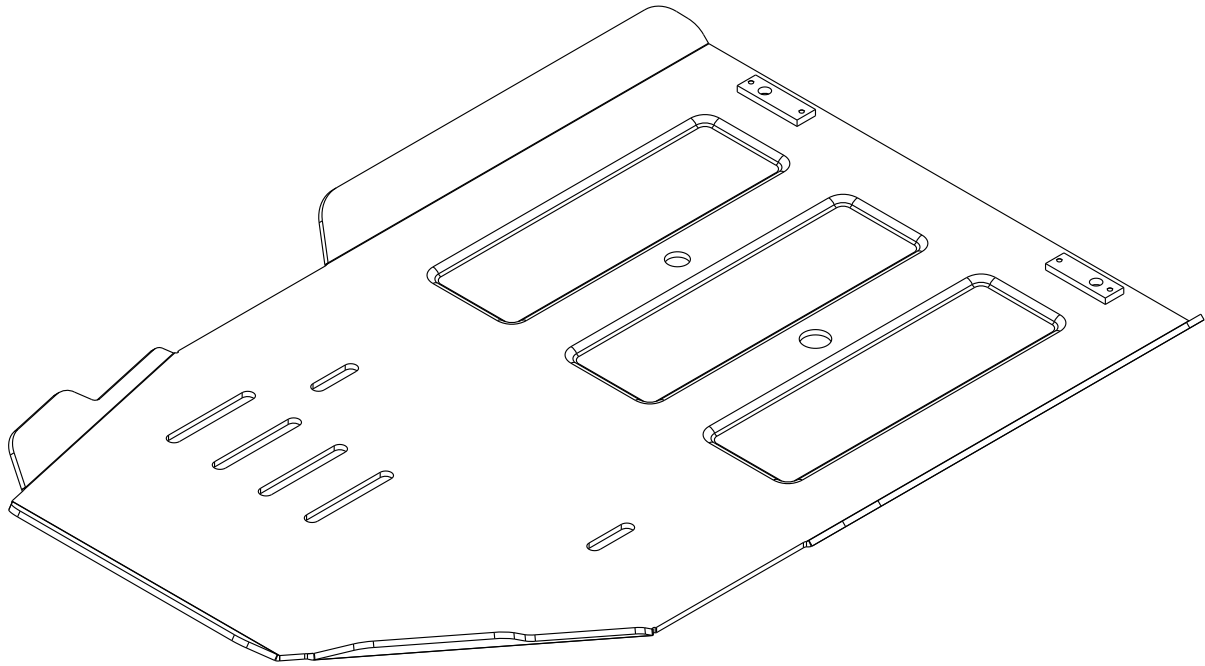
10 min

Manual reference number

AIM 001-930-0

PZ4AL-01696-00

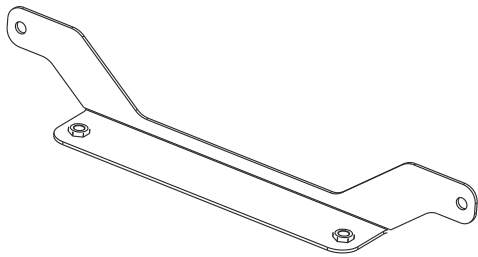
**A**



1x

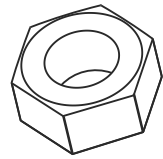
PZ4AL-01696-60

**B**



1x

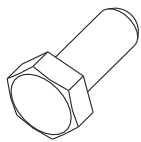
**C**



M10

2x

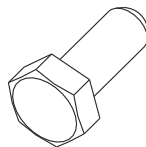
**D1**



M10x30

4x

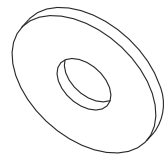
**D2**



M10x110

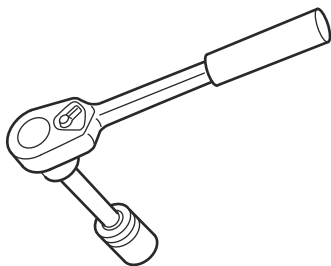
2x

**E**

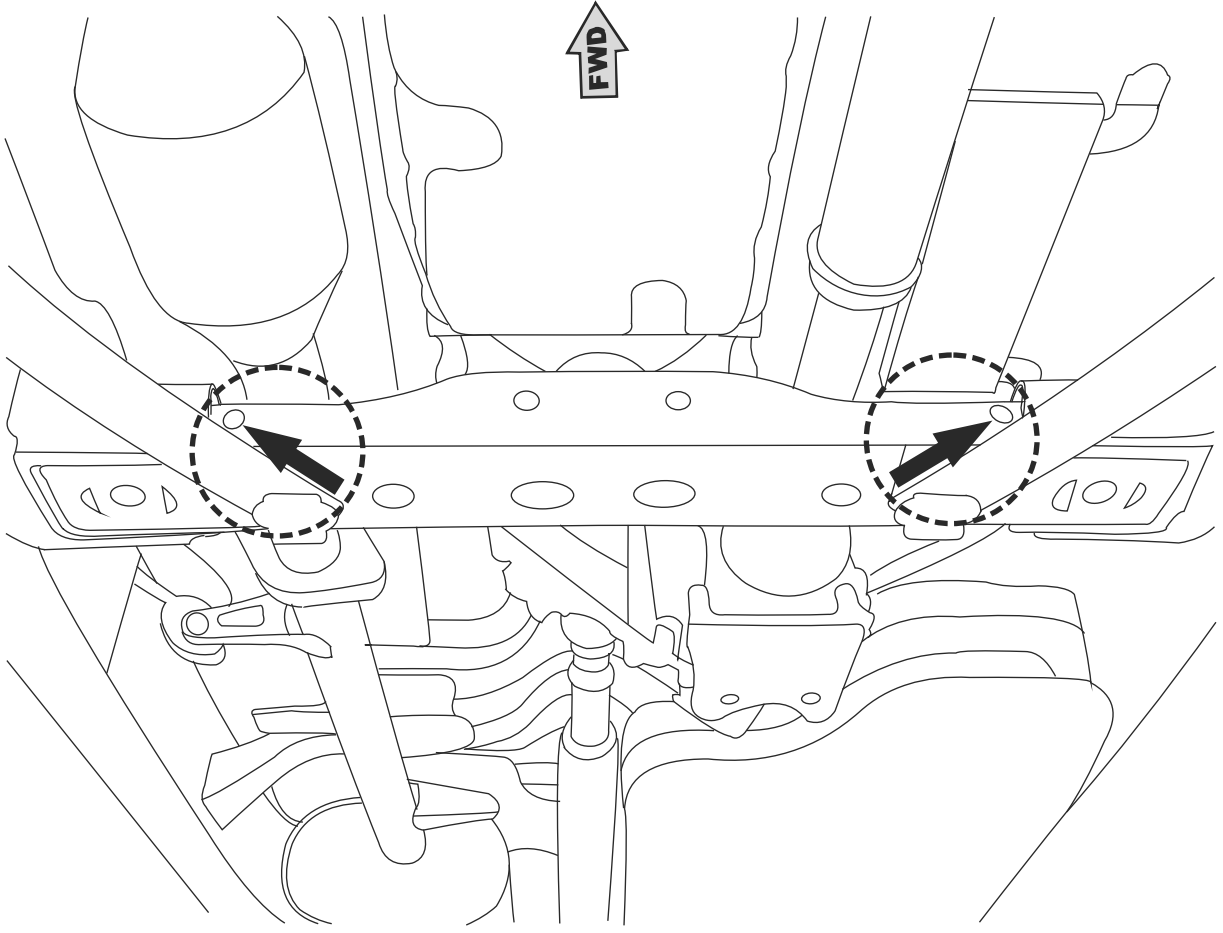


Ø10

8x



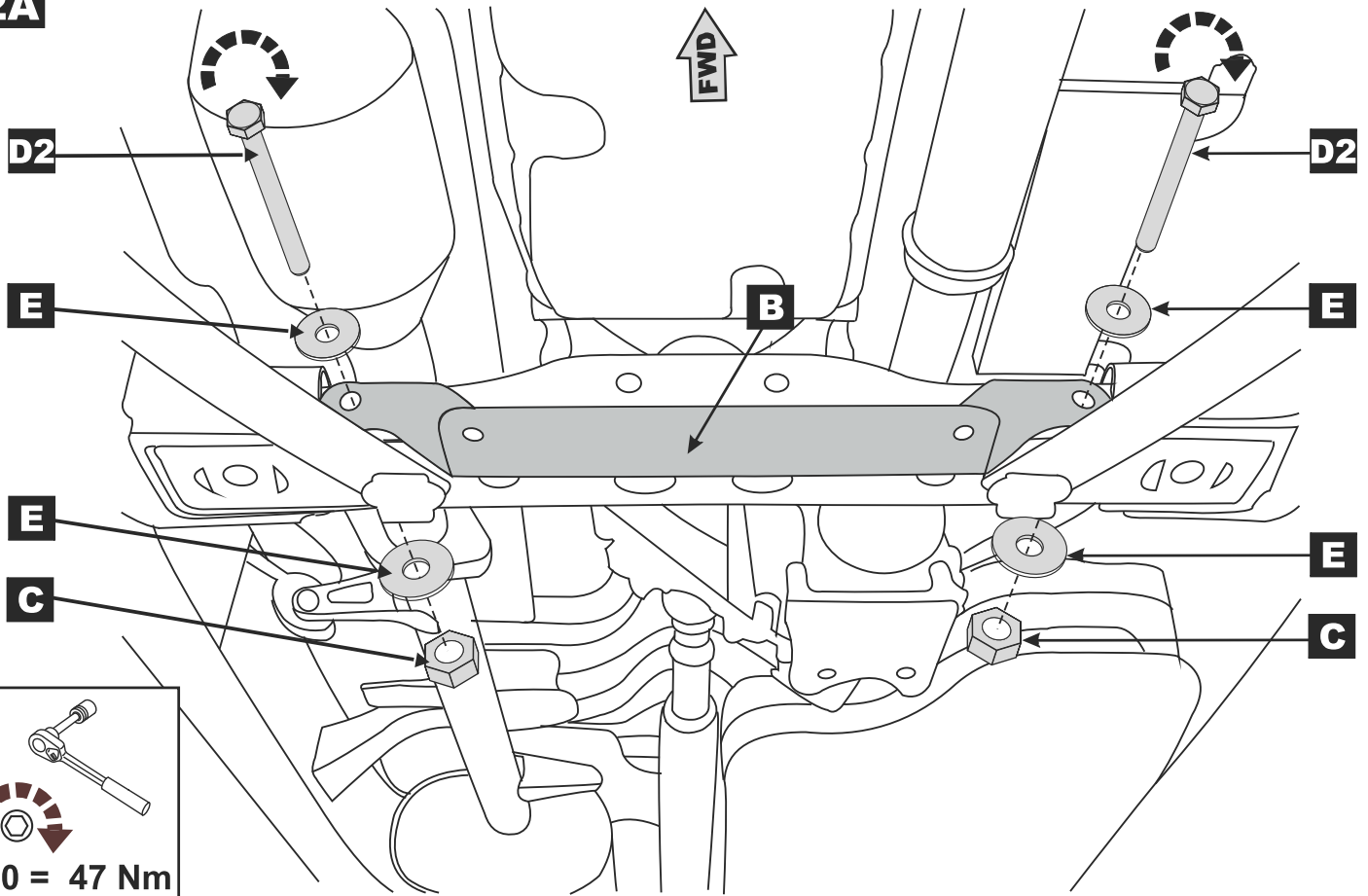
**1**

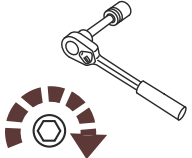


**2A**

**LEXUS GX 460**

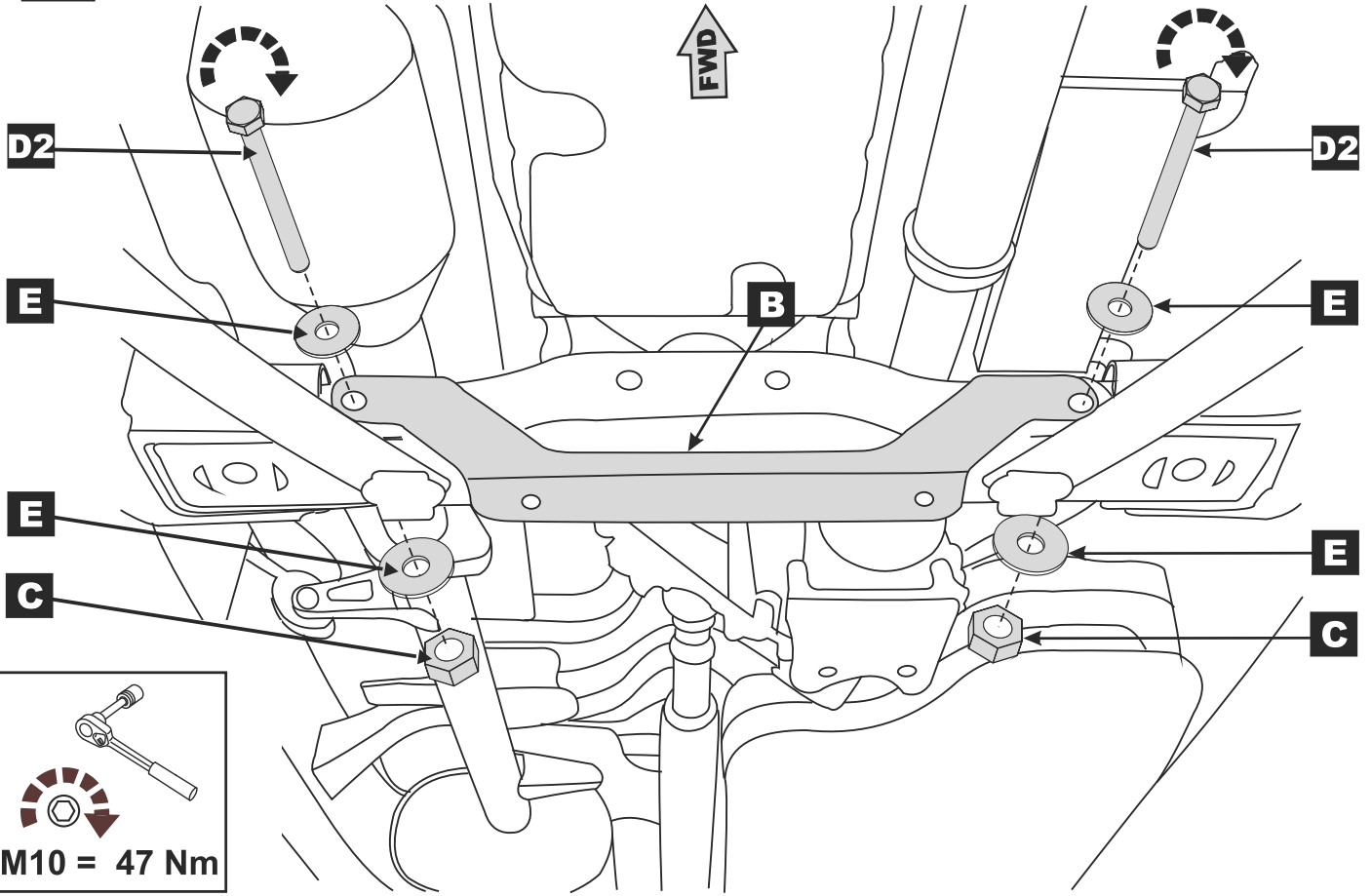
**Toyota Land Cruiser 150 Diesel**



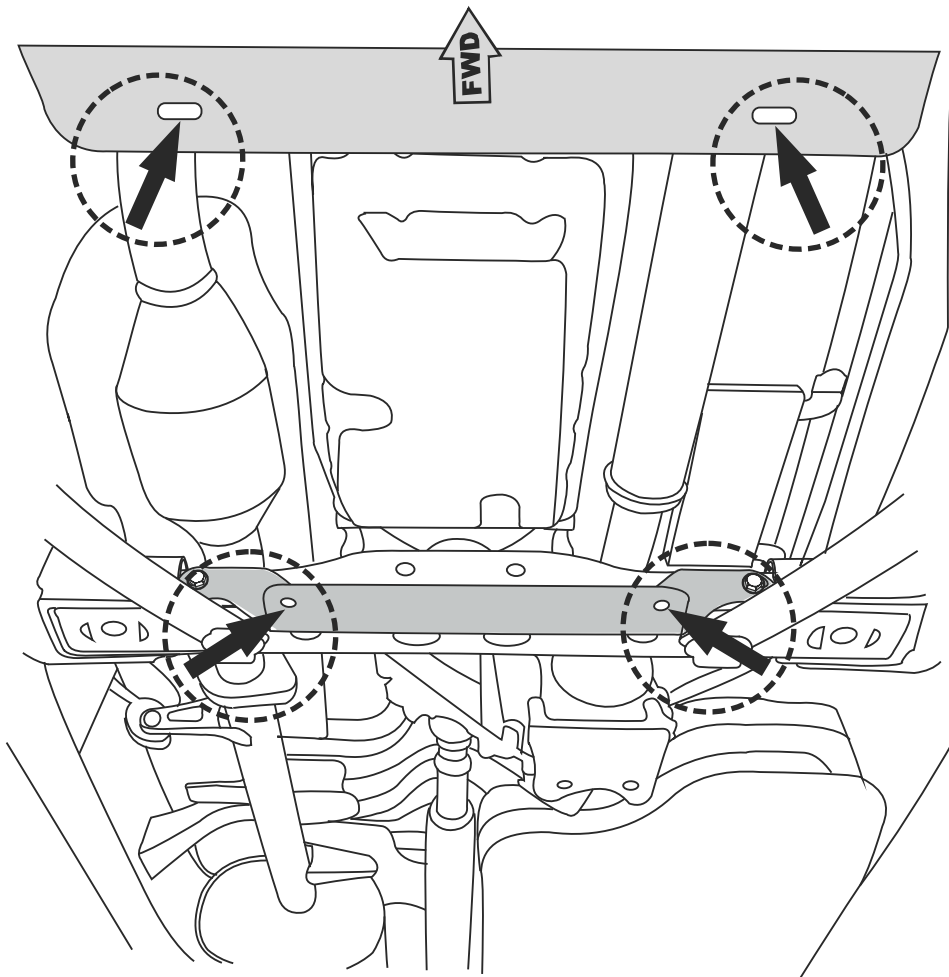
  
**M10 = 47 Nm**

**2B**

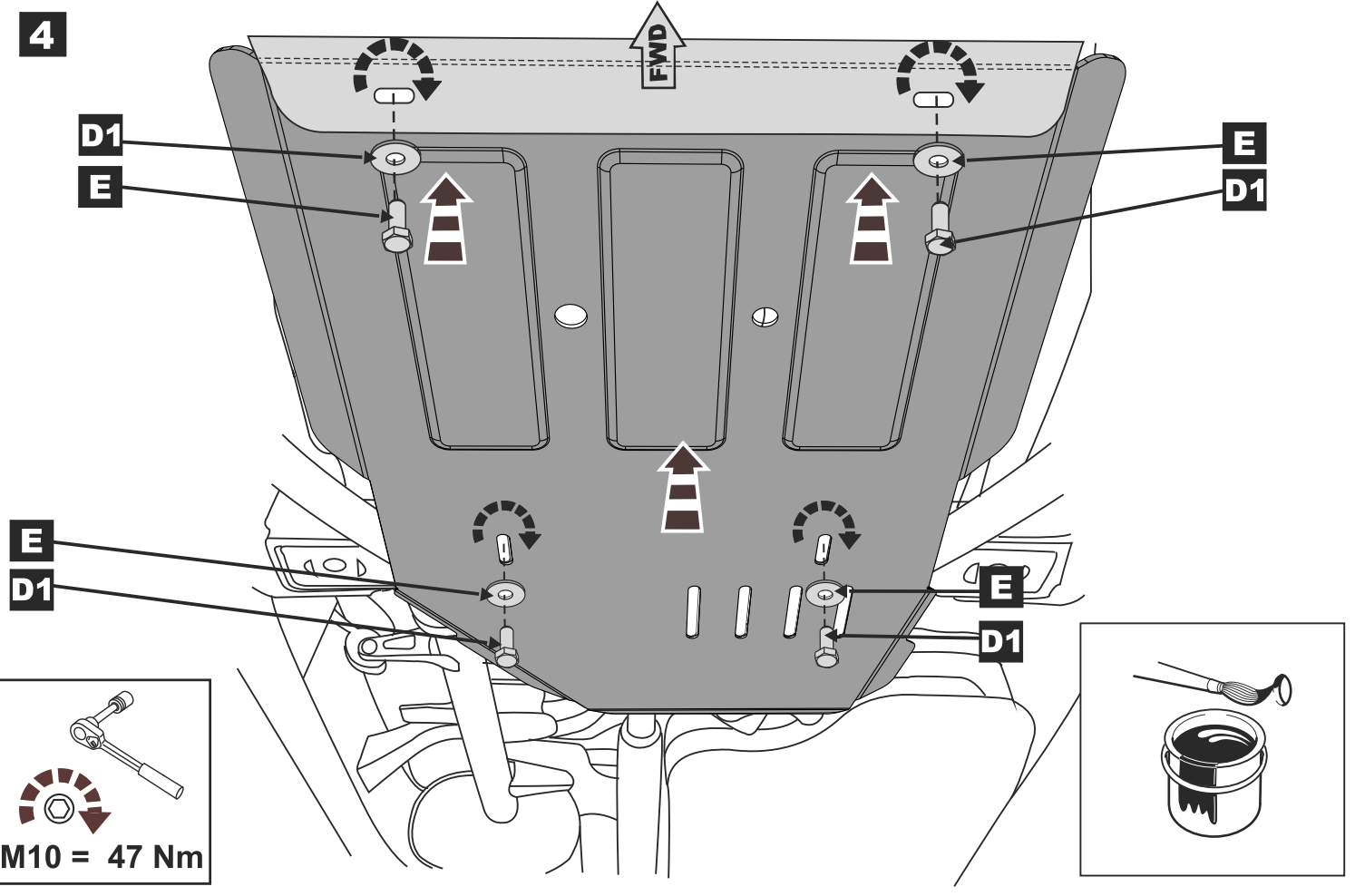
# Toyota Land Cruiser 150 Petrol



**3**



**4**



**5**

